

Exploded View Drawing and Parts List

Model: **TC-X800SE-NPT**

Model Number: **1P00073MN**

Serial Number:

Service Code:

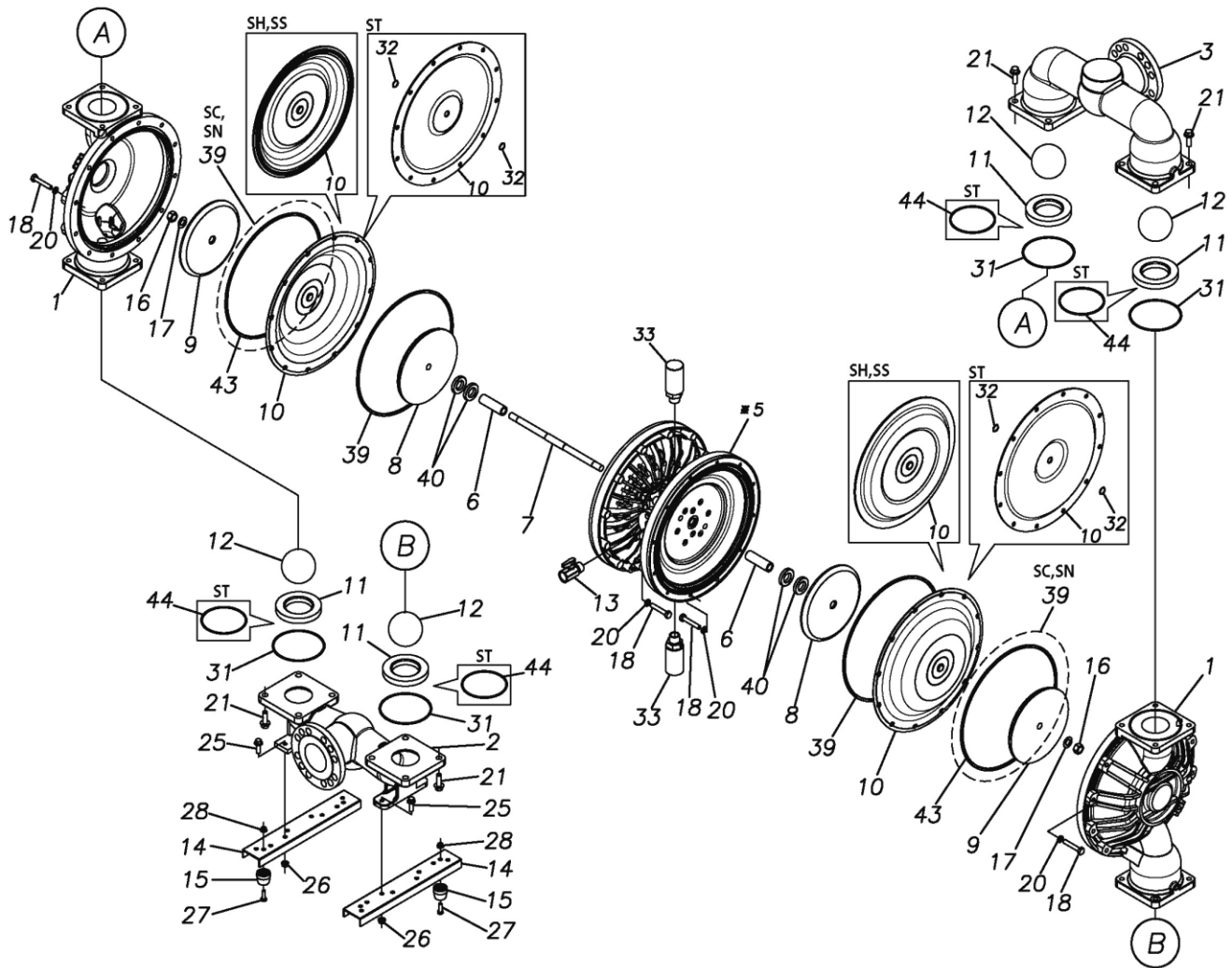
The part list and exploded view drawing as attached below indicate the full list of parts for the above mentioned pump model.

When ordering parts take care to select the correct model pump and required parts. Also be aware that models may change over time as improvements are made so cross-referencing the pumps serial number assembly date and service code are also recommended.

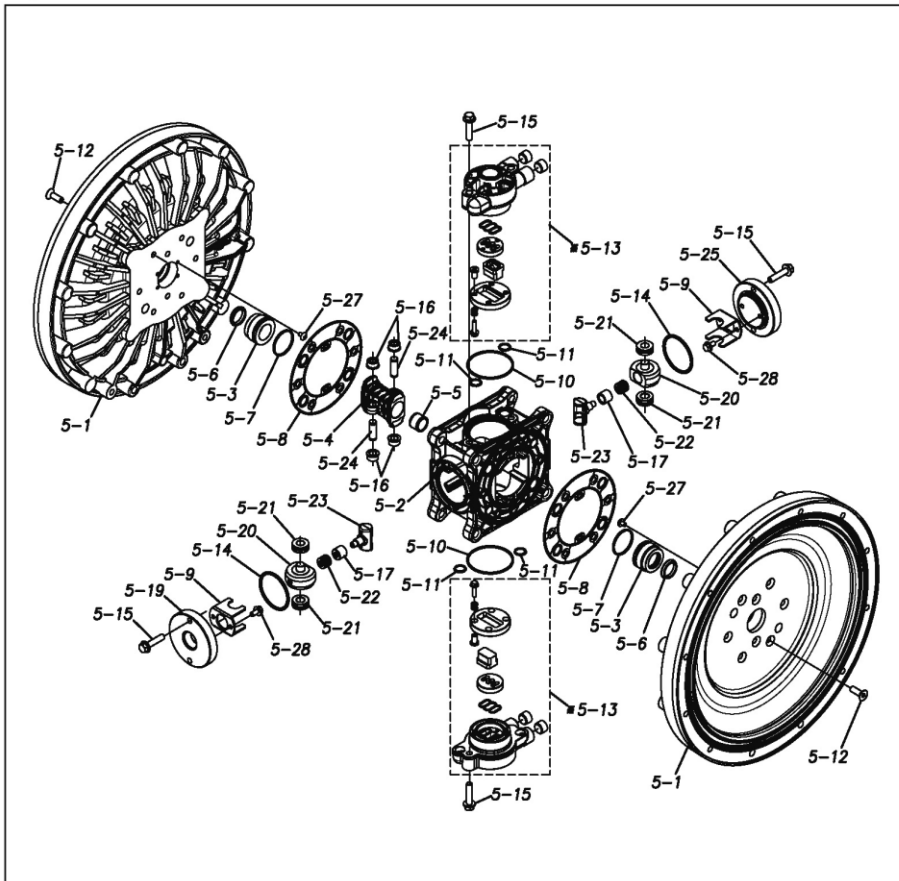
If you require specific spare parts you can also use this form to place your order.

For more information specific to your pump please refer to the pumps Service Book and Operation Manual available separately.

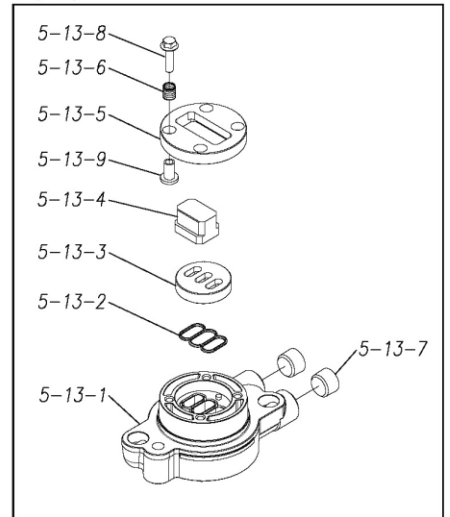
Please contact your Pump Distributor directly for more information.



*5



*5-13



Ref.No.	Parts No.	Description	Parts Component	Remark	Order Qty
1	1P20016SM	OUT CHAMBER	2		
2	1P20018SN	IN MANIFOLD	1		
3	1P20020SN	OUT MANIFOLD	1		
5	1P10001MN	BODY ASSEMBLY	1		
5-1	1P30009MM	AIR CHAMBER	2	The parts of #5 are available with a set as [1P10001MN:BODY ASSEMBLY]. This is also available individually.	
5-2	1M30001MM	BODY	1		
5-3	1P30001MM	BEARING CENTER ROD	2		
5-4	1M30011MM	SHUTTLE	1		
5-5	1M30012MM	BEARING SHUTTLE	1		
5-6	9S2BA0025	PACKING	2		
5-7	9S1BS0036	O RING S-36	2		
5-8	1M30027MB	PACKING BODY	2		
5-9	1M30004MM	BRACKET BEARING	2		
5-10	9S1BG0065	O RING G-65	2		
5-11	9S1BP0014	O RING P-14	4		
5-12	9B5410835	BOLT M8 × 35	16		
5-13-1	1M10002MP	VALVE BODY ASSEMBLY	2		The parts of #5-13 are available with a set as [1M10002MP:VALVE BODY ASSEMBLY]. This is also available individually.
5-13-2	1M30016MB	VALVE BODY	2		
5-13-3	1M30014MM	PACKING VALVE	2		
5-13-4	1M30013MM	SEAT SLIDE VALVE	2		
5-13-5	1M30015MM	SLIDE VALVE	2		
5-13-6	1M30020MM	GUIDE SLIDE VALVE	8		
5-13-7	1H30043MB	SPRING	4		
5-13-8	9B2110520	PLUG	8		
5-13-9	1M30019MM	BOLT M5 × 20	8		
5-14	9S1BG0055	GUIDE SPRING	8	The parts of #5 are available with a set as [1P10001MN:BODY ASSEMBLY]. This is also available individually.	
5-15	9B2110835	O RING G-55	4		
5-16	1M30006MM	BOLT M8 × 35	2		
5-17	1M30017MM	BEARING PIN	4		
5-19	1M30010MN	BEARING ARM	1		
5-20	1M30005MM	CAP BODY IN	2		
5-21	1M30007MM	CASE SPRING	4		
5-22	1M30008MM	BEARING CASE SPRING	2		
5-23	1M30003MB	SPRING	2		
5-24	1M30023MM	ARM	2		
5-25	1M30009MM	PIN SHUTTLE	1		
5-27	9T6125008	CAP BODY	8		
5-28	9B2110612	SCREW M5-8	4		
6	1P30002MM	BOLT M6 × 12	2		
7	1P20021MM	SPACER CENTER ROD	1		
8	1P20028MM	CENTER ROD	2		
9	1P20039MM	CENTER DISK	2		
10	1P20002EB	CENTER DISK	2		
11	1P20015EB	DIAPHRAGM	4		
12	1P20003EB	VALVE SEAT	4		
13	1M90001MN	BALL	1		
14	1P30017MM	BALL VALVE	2		
15	1H30055MB	BASE	4		
16	9N1731600	RUBBER FEET	2		
17	9W3311600	NUT M16 × 1.5	2		
18	9B1221070	CONED DISK SPRING M16	2		
		BOLT M10 × 70	24		

Ref.No.	Parts No.	Description	Parts Component	Remark	Order Qty
20	9W4211000	SPRING LOCK WASHER M10	24		
21	9B2211235	BOLT M12 × 35	12		
25	9B2211030	BOLT M10 × 30	4		
26	1P30016MM	STUD BASE	4		
27	9B1110825	BOLT M8 × 25	4		
28	9N2110800	NUT M8	4		
31	9S1EG0135	O RING G-135	4		
33	1H90003MK	SILENCER	2		
39	9S1BG0350	O RING G-350	2		
40	1P30012MB	CUSHION CENTER DISK	4		
43	9S1EG0350	O RING G-350	2		

memo